

PLEASE CHECK WWW.MOLEX.COM FOR LATEST PART INFORMATION

Part Number: [0495170300](#)
Status: **Active**
Description: 3.96mm (.156") Pitch Wire-to-Board Female Housing, 3 Circuits, Natural

Documents:

[Drawing \(PDF\)](#) [Product Specification PS-49517-001 \(PDF\)](#)
[Packaging Specification \(PDF\)](#) [RoHS Certificate of Compliance \(PDF\)](#)

Agency Certification

UL E29179

General

Product Family Crimp Housings
 Series [49517](#)
 Product Name N/A

Physical

Breakaway No
 Circuits (maximum) 3
 Color - Resin Natural
 Flammability 94V-0
 Gender Female
 Glow-Wire Compliant No
 Keying to Mating Part None
 Lock to Mating Part None
 Material - Resin Nylon
 Number of Rows 1
 Packaging Type Bag
 Panel Mount No
 Pitch - Mating Interface (in) 0.156 In
 Pitch - Mating Interface (mm) 3.96 mm
 Polarized to Mating Part Yes
 Stackable No
 Temperature Range - Operating -25°C to +85°C

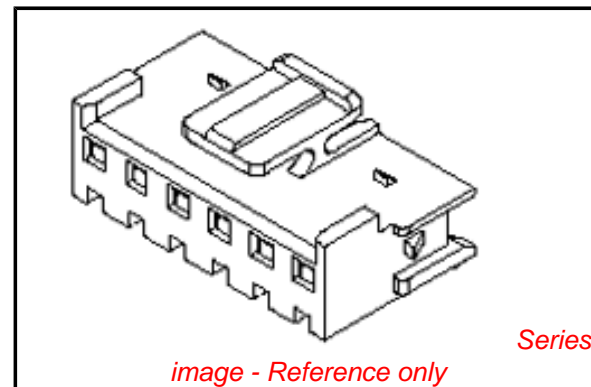
Electrical

Current - Maximum per Contact 7A

Material Info

Reference - Drawing Numbers

Product Specification PS-49517-001
 Sales Drawing SD-49517-001



EU RoHS

ELV and RoHS Compliant

REACH SVHC

Not Reviewed

Halogen-Free

Status

Halogen-Free

China RoHS



Need more information on product environmental compliance?

Email productcompliance@molex.com
 For a multiple part number RoHS Certificate of Compliance, [click here](#)

Please visit the [Contact Us](#) section for any non-product compliance questions.

Search Parts in this Series

[49517Series](#)

Mates With

[35978 Header](#)

Use With

[359229002 Wire-to-Board Terminal](#). [49518 TPA™](#)

DWG. NO.
SD-49517-001

SIMILAR ITEM

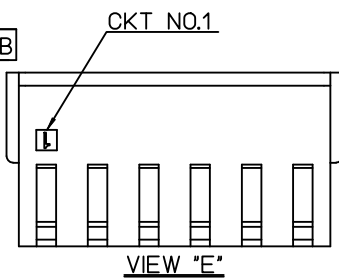
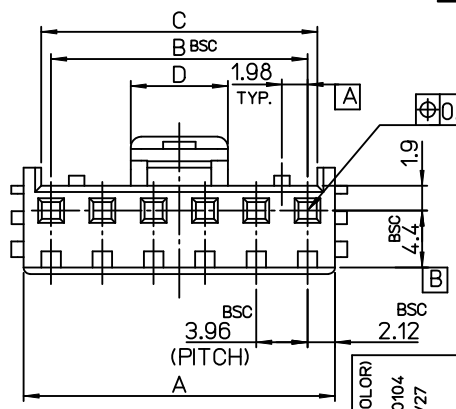
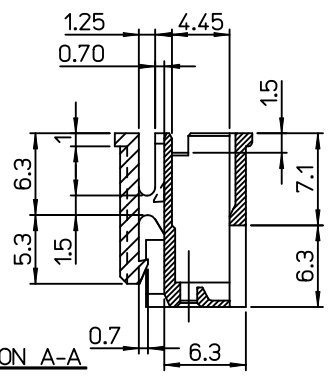
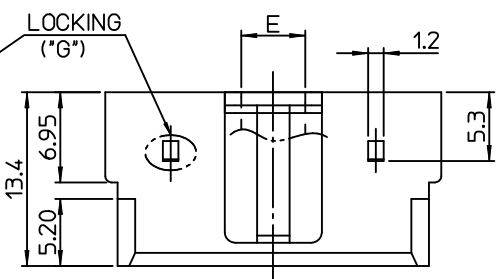
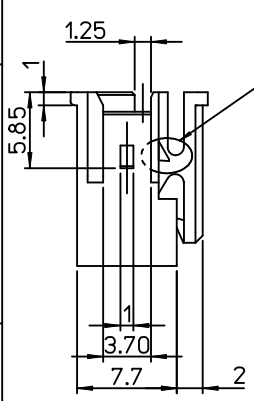
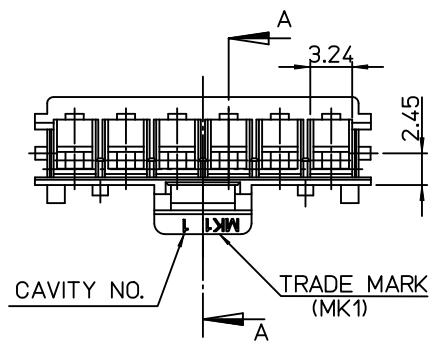
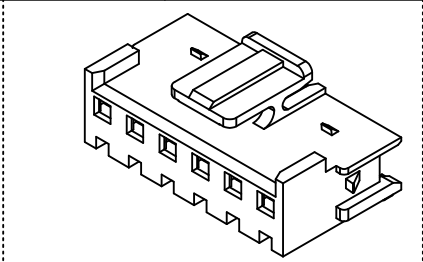
PROJECT NO.

B

DO NOT SCALE DRAWING
DIMENSION IN METRIC

NOTES

1. MATERIAL : POLYAMIDE66,UL94V-0
2. FINISH : NATURAL COLOR
3. APPLICABLE TERMINAL : 35922-9002
4. USED WITH T.P.A : 49518 SERIES
5. MATED WITH HEADER ASSY : 35978 SERIES



LEGEND

49517 - ** 0 *

COLOR - 0 : NATURAL COLOR
2 : RED COLOR
3 : YELLOW COLOR
4 : BLUE COLOR

CIRCUIT SIZE

E	D	C	B	A	MATERIAL NO.	CKT'	TYPE'G'
17.34	19.9	56.88	55.44	59.68	- 150*	15	LOCKING
		52.92	51.48	55.72	- 140*	14	
		48.96	47.52	51.76	- 130*	13	
		45.00	43.56	47.80	- 120*	12	
		41.04	39.60	43.84	- 110*	11	
		37.08	35.64	39.88	- 100*	10	
15.14	17.7	33.12	31.68	35.92	- 090*	9	LOCKING
13.14	15.7	29.16	27.72	31.96	- 080*	8	
8.31	10.87	25.20	23.76	28.0	- 070*	7	
4.94	7.5	21.24	19.80	24.04	- 060*	6	WITHOUT LOCKING
		17.28	15.84	19.82	- 050*	5	
		13.32	11.88	15.86	- 040*	4	
		9.36	7.92	11.90	- 030*	3	
0.94	3.5	5.4	3.96	7.94	49517- 020*	2	WITHOUT LOCKING

REVISED (ADDED COLOR) ECN NO. KOR2007-0104 DRWN: J.B.JIN 07/03/27 CHK: W.Y.YANG APPR: E.H.JUNG	DESCRIPTION MAJOR CRITICAL	QUALITY SYMBOLS		GENERAL TOLERANCES: (UNLESS SPECIFIED)		SCALE 1 : 1	DESIGN UNITS <input checked="" type="checkbox"/> MM <input type="checkbox"/> INCH	THIRD ANGLE PROJECTION <input checked="" type="checkbox"/> <input type="checkbox"/>		DIMENSIONS: <input type="checkbox"/> MM <input type="checkbox"/> INCH <input checked="" type="checkbox"/> MM ONLY		SHT	REV
		4 PLACES ±0.	±-	3 PLACES ±0.	±-	2 PLACES ±0.25	±-	1 PLACE ±0.25	±-	DRAWING TITLE: 3.96 W/B CONN.HOUSING (TPA TYPE)			
DRAFT WHERE APPLICABLE MUST REMAIN WITHIN DIMENSIONS		ANGULAR: ± °		APPROVED BY & DATE C.W.LEE 05/02/18		MATERIAL NO. SEE CHART		DRAWING NO. SD-49517-001		SHEET NO. 1 OF 1		SIZE B	
THIS DRAWING CONTAINS INFORMATION THAT IS PROPRIETARY TO MOLEX INCORPORATED AND SHOULD NOT BE USED WITHOUT WRITTEN PERMISSION.												KOREA MX-A3	